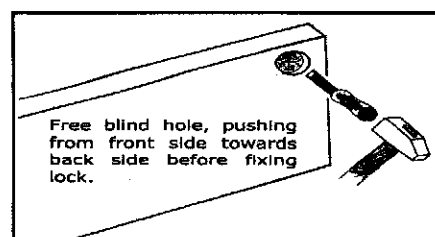
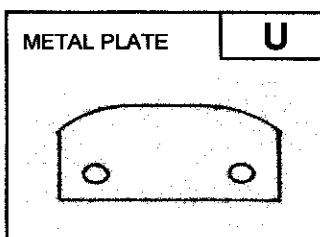
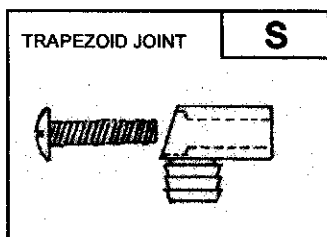


SKETCH - 1 -

**ASSEMBLING INSTRUCTIONS: "HIGH BOOKCASE ART. 03"**

- Insert wooden pin "M" in suitable holes dia. 8 mm of bottom (1), internal base (2), top (3).
- Apply nylon bushes "Q" in suitable holes dia. 10 mm. of sides (4) (5) and insert on lower side plastic sliding "H".
- Apply trapezoid joint "S" to top (3) and internal base (2).
- Apply lock-latch "R" to internal base (2).
- Fix bottom (1), internal base (2) and top (3) to side (4) (joint "A").
- Insert back (6) in the special millings; join side (5) to panels (1), (2), (3) (joint "A").
- Apply nylon bushes "Q" to frame (7) (9).
- Fix with screw "N4" the door-stop "AF" back to frame (9) in the marked holes.
- Apply frame (7) to top (3) and fix it (screw "S").
- Apply frame (9) to internal base (2) and fix it (screw "S").
- Apply with pressure skirting board (8) to bottom (1) with pins "M" dia. 10 mm.
- Fix, from behind, bookcase back (6) to internal base (2) with screw "N2" (See sketch-2-).
- Fix hinges bases to sides (4) (5).
- Fix hinges and locks to wooden and glass doors.
- Fix with screw "N4" metal plate "U" in the marked holes of left wooden door.
- Fix door-stop to top (3) (See sketch - 3 -).
- Fix wooden and glass doors to sides (4) (5).
- Insert shelf holders and place shelves.

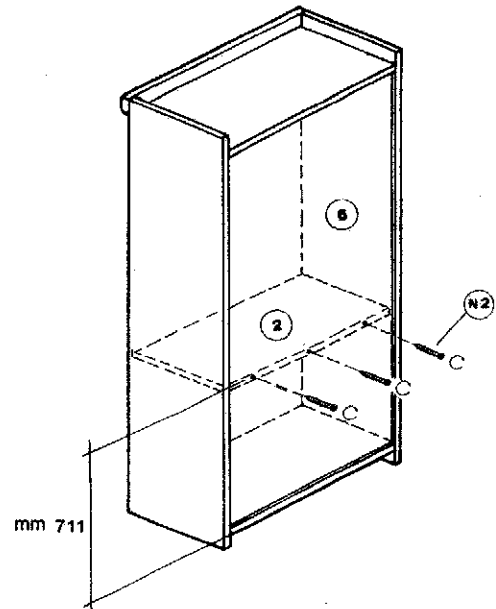
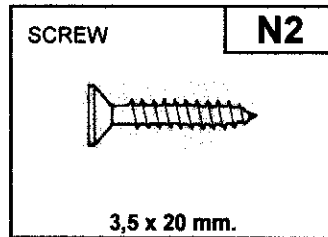
Mod. IALIO3



MADE IN ITALY

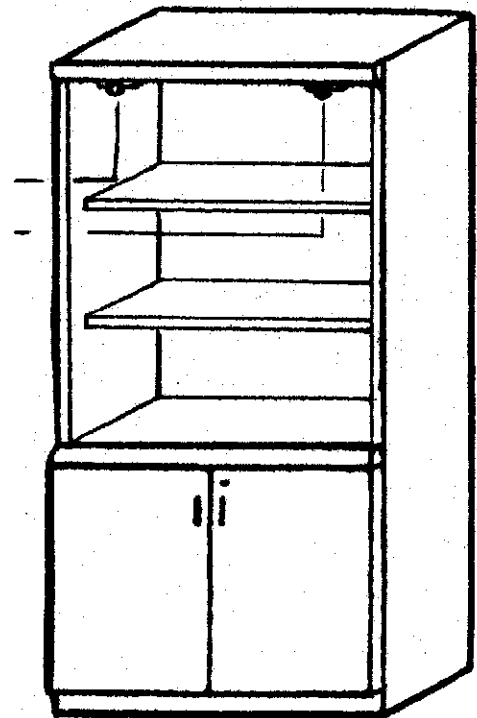
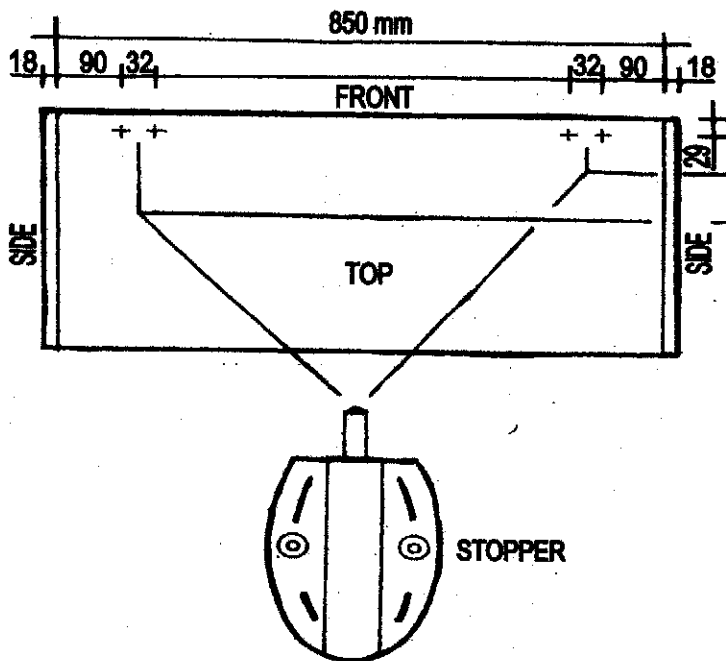
**Прикрепить боковую спинку №6 к фиксированной полке №2 винтами (N2) для устойчивости книжного шкафа.**

For the bookcase steadiness fix back (6) to inner shelf (2) (Screws "N2")



**SKETCH - 2 -**

**FIXING OF STOPPER "HIGH BOOKCASE ART. 03"**



**SKETCH - 3 -**